

ASSEMBLY INSTRUCTIONS

MODEL RB10 DIGITAL LAUNDRY SCALE

WEIGHTS & MEASURES APPROVED



Table Model Scale

Approved & Certified by:
(NTEP) National Type Evaluation
Program # 95065

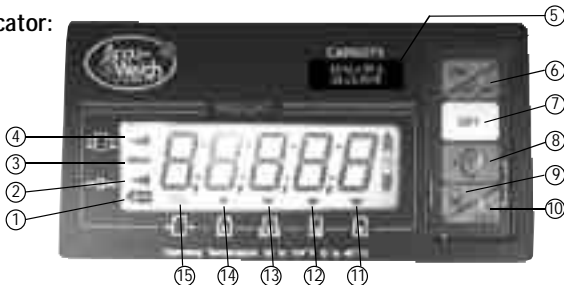
(CTEP) California Type Evaluation
Program #4210-95

Capacity:
50 lbs x .05 lb. increm.
or
20 kg x 20 gram increm.

Approx Dimensions:

Base: 9"W x 9" Deep
Height of Scale: 8.25"
Basket: 26" x 26" x 12" Deep (9" x 9" base)

Indicator:



- | | | | |
|---------------------------|-------------------|-------------------|-------------------------|
| 1. Low Battery Indicator | 5. Capacity Plate | 9. lb/kg switch | 13. Gross Wt. Indicator |
| 2. Center Zero Indicator | 6. On/Zero Key | 10. Net/Gross Key | 14. Net Wt. Indicator |
| 3. Negative Wt. Indicator | 7. Off Key | 11. lb Indicator | 15. Stable Indicator |
| 4. Display hold Indicator | 8. Tare Key | 12. kg Indicator | |

Features:

- Bright digital read out with approx. 1" tall letters
- Low battery indicator light
- Overload/underload display
- ABS shatterproof plastic housing with splash-proof display panel

OPERATING INSTRUCTIONS:

4 heavy duty D size batteries are provided to be installed in the bottom of the scale. Unscrew cover plate. Install 4 batteries and replace cover.

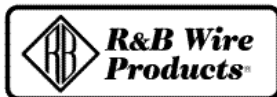
Attach shatterproof plastic base plate to bottom of scale with screws provided.

Attach shatterproof plastic top plate to top of scale with screw provided within the top plate.

Remove 2 screws and plate from top plate of scale. Install wire basket on top of plate and secure to top plate with 2 screws and metal bar provided.

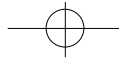
Scale is already adjusted to tare weight to zero in operation with basket installed on top of scale.

Press On-button to turn scale on. Lb scale will appear. Hit T and N-G buttons together to change dial to Kilogram readings (Figure 1). Scale will shut off within one hour when not in use to preserve battery life.



3100 South Fairview, Santa Ana, California 92704
714/549-3355 • 800/634-0555 Toll Free • Fax 714/549-0625
E-mail: sales@rbwire.com www.rbwire.com





R&B Wire Products, Inc.

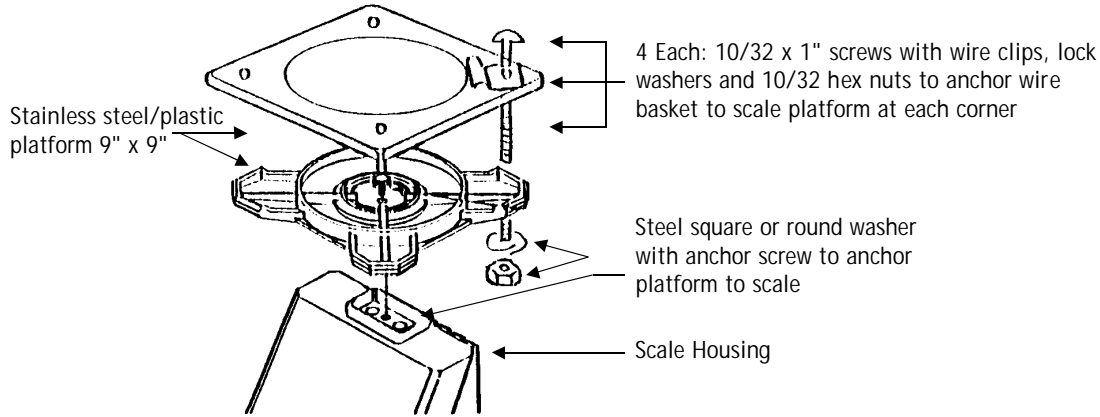
ASSEMBLY DIAGRAM

MODEL RB10 DIGITAL LAUNDRY SCALE

WEIGHTS & MEASURES APPROVED



Coated Wire Basket



Scale Head
4 D-Battery cavity under scale head



Base Platform
4 screws to anchor scale head to base platform at four corners
4 leveling screws at four corners



3100 South Fairview, Santa Ana, California 92704
714/549-3355 • 800/634-0555 Toll Free • Fax 714/549-0625
E-mail: sales@rbwire.com www.rbwire.com

